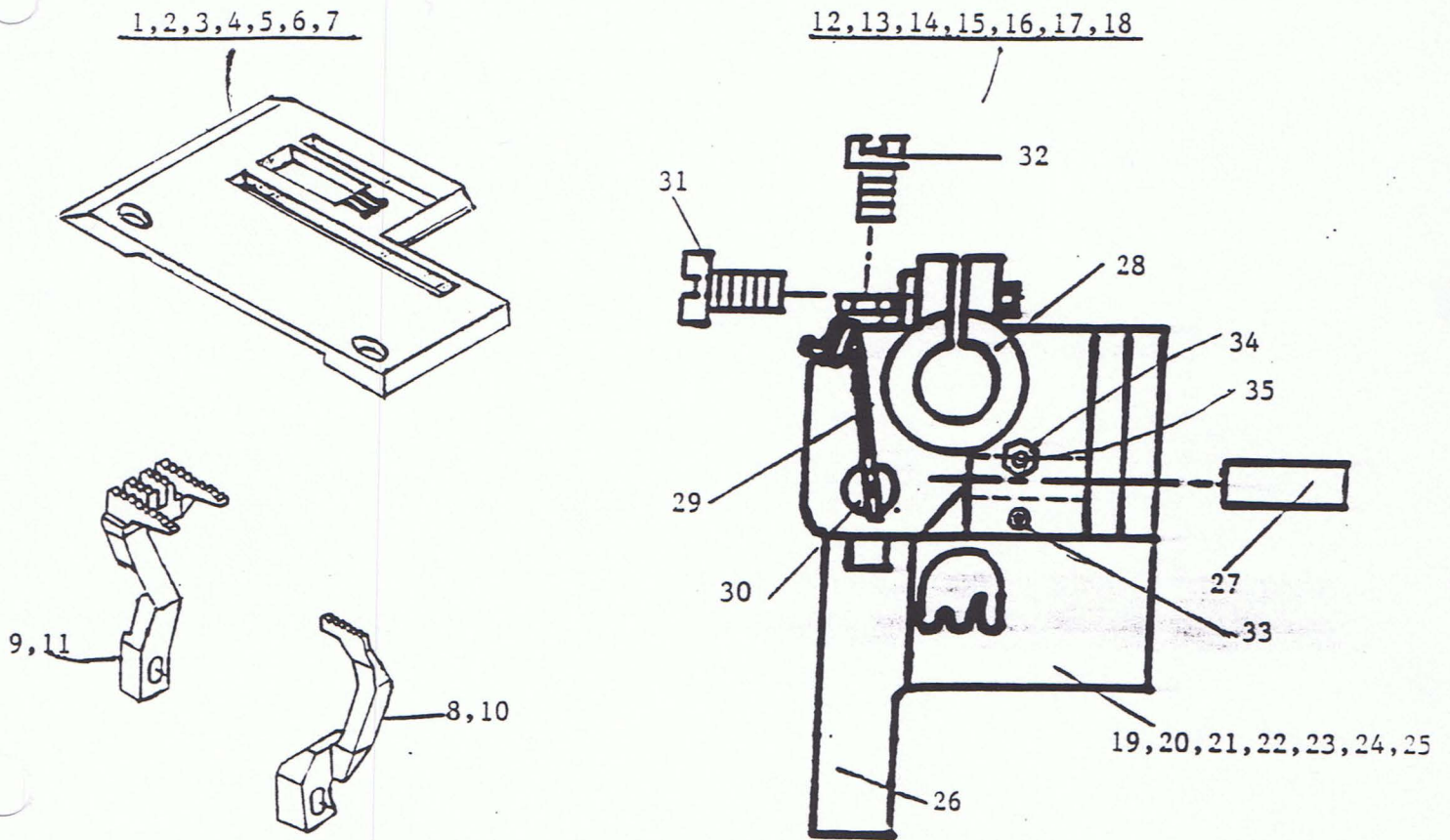
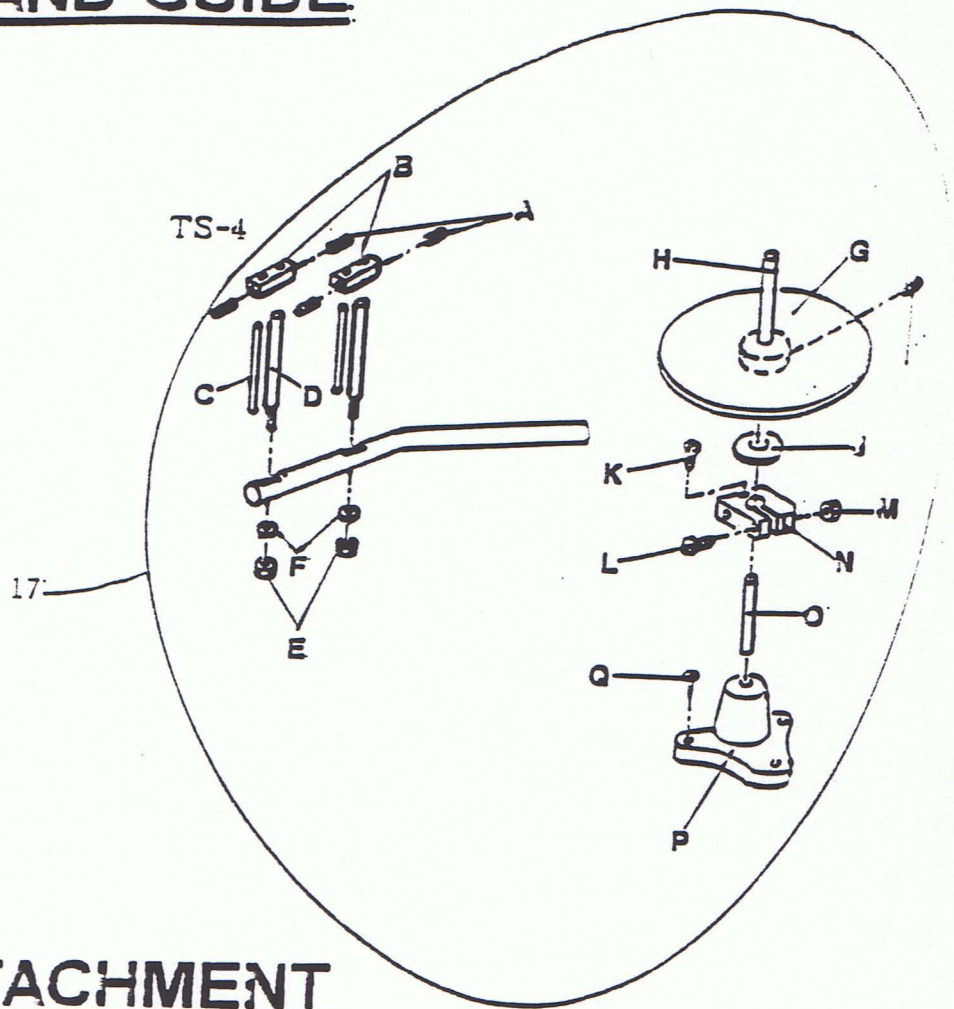


# 1. WX-8800-F MODEL GAUGE PARTS

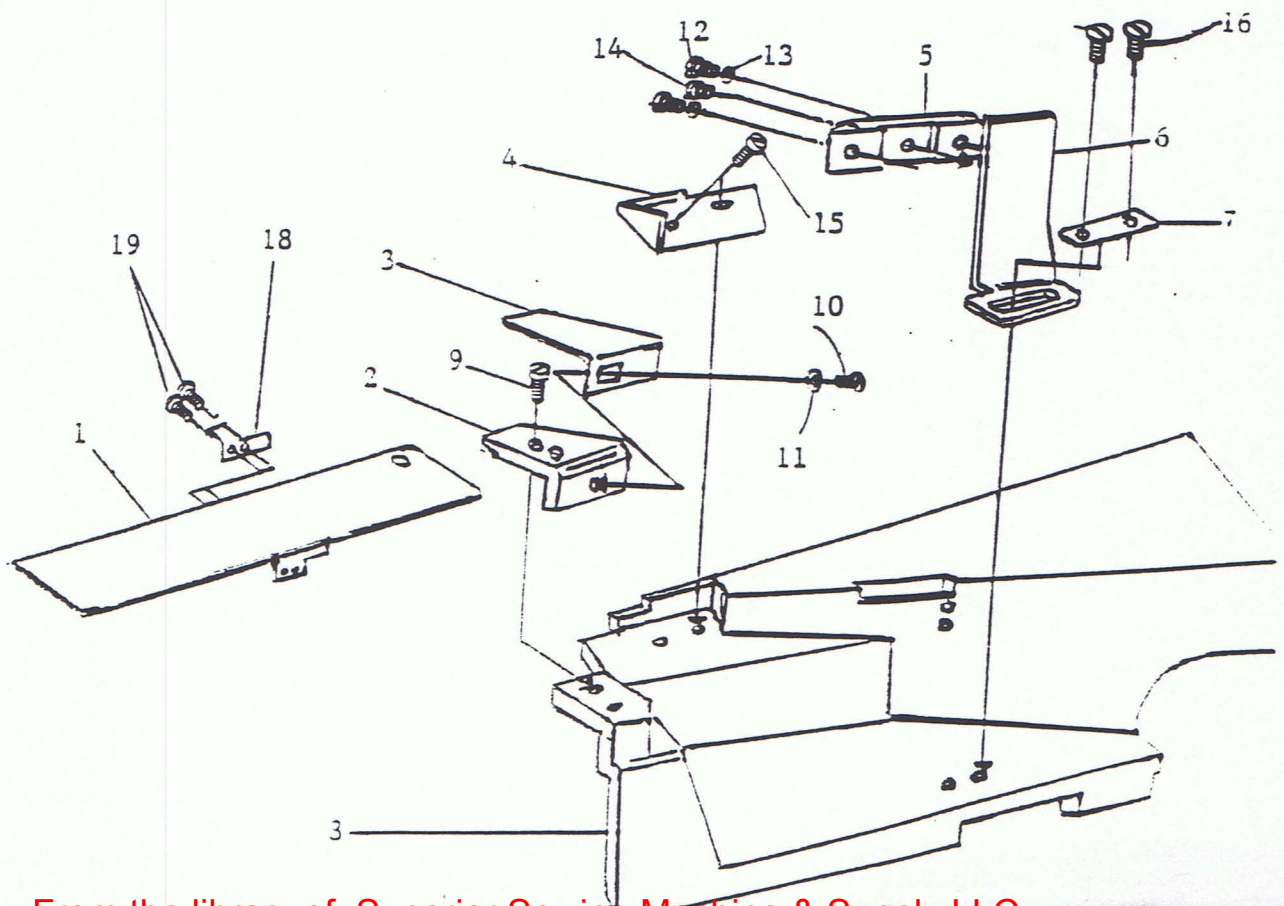


REF#	ITEM#	DESCRIPTION	QTY
1	14-726	NEEDLE PLATE 2 NEEDLE 1/8	1
2	14-736	NEEDLE PLATE 2 NEEDLE 5/32	1
3	14-746	NEEDLE PLATE 2 NEEDLE 3/16	1
4	14-756	NEEDLE PLATE 2 NEEDLE 7/32	1
5	14-766	NEEDLE PLATE 2 NEEDLE 1/4	1
6	14-856	NEEDLE PLATE 3 NEEDLE 7/32	1
7	14-866	NEEDLE PLATE 3 NEEDLE 1/4	1
8	15-813	FRONT FEED DOG 1/8 & 5/32	1
9	15-814	REAR FEED DOG 1/8 & 5/32	1
10	15-811	FRONT FEED DOG 3/16 THRU 1/4	1
11	15-812	REAR FEED DOG 3/16 THRU 1/4	1
12	17-826-1	PRESSER FOOT 2 NEEDLE 1/8	1
13	17-836-1	PRESSER FOOT 2 NEEDLE 5/32	1
14	17-846-1	PRESSER FOOT 2 NEEDLE 3/16	1
15	17-856-1	PRESSER FOOT 2 NEEDLE 7/32	1
16	17-866-1	PRESSER FOOT 2 NEEDLE 1/4	1
17	17-886-1	PRESSER FOOT 3 NEEDLE 7/32	1
18	17-896-1	PRESSER FOOT 3 NEEDLE 1/4	1
19	17-826-B	PRESSER FOOT BOTTOM 2 NEEDLE 1/8	1
20	17-836-B	PRESSER FOOT BOTTOM 2 NEEDLE 5/32	1
21	17-846-B	PRESSER FOOT BOTTOM 2 NEEDLE 3/16	1
22	17-856-B	PRESSER FOOT BOTTOM 2 NEEDLE 7/32	1
23	17-866-B	PRESSER FOOT BOTTOM 2 NEEDLE 1/4	1
24	17-886-B	PRESSER FOOT BOTTOM 3 NEEDLE 7/32	1
25	17-896-B	PRESSER FOOT BOTTOM 3 NEEDLE 1/4	1
26	17-826-C	PRESSER FOOT GUIDE 1/8, 5/32 & 1/4	1
	17-896-C	PRESSER FOOT GUIDE 3/16 & 7/32	1
27	17-826-G	PRESSER FOOT SHANK PIN	1
28	17-826-A	PRESSER FOOT SHANK	1
29	17-826-F	PRESSER FOOT SPRING	1
30	85-621	SCREW	1
31	84-382	SCREW	1
32	84-161	SCREW	1
33	87-104	SCREW	1
34	87-103	SCREW	1
35	87-130	SHANK ADJUSTING SCREW	1

## 2. TAPE STAND AND GUIDE



## COVER AND ATTACHMENT





2: WX-8800-F TAPE GUIDE AND ATTACHMENT

REF#	ITEM#	DESCRIPTION	QTY
1	21-824	FRONT BASE COVER	1
2	21-822	FRONT COVER SMALL	1
3	26-823	GUIDE PLATE FOR F	1
4	21-823	DUST PROOF COVER	1
5	26-724	FOLDER BASE FOR F	1
6	26-821	FOLDER BASE	1
7	26-822	FOLDER PLATE	1
8	21-821	FRONT COVER	1
9	84-571	SCREW	2
10	84-601	SCREW	1
11	75-455	WASHER	1
12	84-572	SCREW	2
13	75-455	WASHER	2
14	84-571	SCREW	1
15	84-361	SCREW	2
16	85-182	SCREW	2
17	20-614	TAPE STAND AND GUIDE ASSEMBLY	1
18	79-532	SPRING	1
19	84-167	SCREW	2